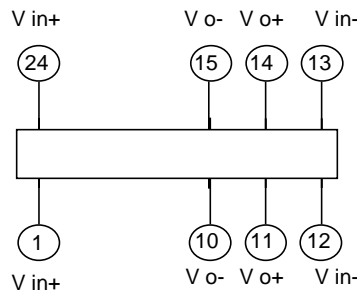


- Designed for Low Common Mode Noise •
- Unregulated Output •
- 75% Efficiency at Full Load @ Nominal Input Voltage •
- Input Filter to Reduce Input Ripple Current •
- Input/Output Isolation : 500 Vrms •

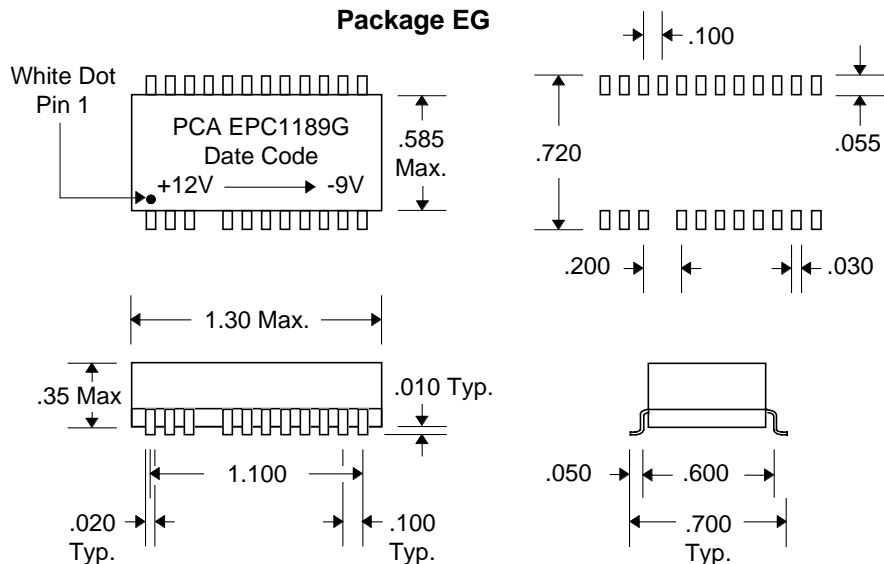
Electrical Specifications

| Parameters | Min. | Typ. | Max. | Units |
|-----------------------------------|------|------|------|--------|
| Input Voltage | --- | 5 | --- | Volts |
| Output Voltage | 3.16 | 3.3 | 3.5 | Volts |
| Output Current | --- | --- | 200 | mA |
| Output Ripple & Noise @ 20 MHz BW | --- | --- | 100 | mV p-p |

Pin Connections



Package EG



Unless Otherwise Specified Dimensions are in Inches /mm ± .010 / .25